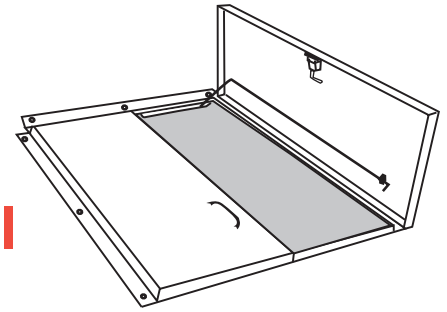


Replace your basement door easily and economically



RD Model

Rev. A

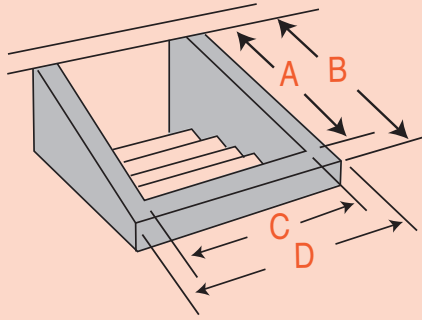
When it comes time to replace your worn or damaged basement door, Gordon has the answer. Gordon makes it easy to choose and install the right steel door. Simply find the measurements you need, select the right door size and follow Gordon's clear, complete instructions. You'll have a weather-tight entrance that adds value, beauty and security to your home.

Two basic styles are available: The Replacement Door (RD) shown here and the CellaDoor (CD) shown on the other side of this page.

STEP ONE

measure the foundation. The RD model installs on your existing sloping sidewalls.

- Measure the width "C" and "D" which are the **inside (C)** and **outside (D)** dimensions of the foundation width.
- Next measure the length "A" and "B" along the slope from the building, to the inside (A) and outside (B) of the base-wall. (**Note; To insure accuracy, measure the foundation and not the existing door.**)



C & D. Select width at least 4 inches wider than "C" and at least 2 inches narrower than "D".

A & B. Select length at least 2 inches longer than "A" and within 2 inches of "B". (Use extension headers to find doors longer than standard lengths.)

Write the four door measurements, A, B, and C, D, in space below. Using these measurements and the chart, choose the right door size. Not sure?? Ask your Gordon dealer for Help.

A= C=

B= D=

STEP TWO

choose the right door size. This chart will help you select the correct replacement door. Remember, that the new door will be positioned on the sidewalls of your foundation. Extension "headers" are available for doors longer than the standard sizes shown in the first section of the chart.

STEP THREE

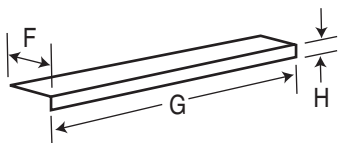
the photos below the sizing chart show a sample installation. Complete, easy-to-follow instructions are packed with each door.

MODEL	WIDTH	LENGTH	WITH 6" EXTENSION	WITH 12" EXTENSION	WITH 18" EXTENSION	IF LONGER LENGTHS ARE REQUIRED, ORDER FLAT STEEL FROM THE PLANT
RD-0	44 1/2"	48"	53" - 55" X1-6	59" - 61" X1-12	NA	
RD-1	44 1/2"	62"	67" - 69" X1-6	73" - 75" X1-12	NA	
RD-2	48 1/2"	66 1/2"	71" - 73" X2-6	77" - 79" X2-12	NA	
RD-3	52 1/2"	73 1/2"	78" - 80" X3-6	84" - 86" X3-12	90" - 92" X3-18	
OUTSIDE FRAME DIMENSIONS			EXTENSION HEADERS ARE NOT INCLUDED IN DOORS — ORDER SEPARATELY			

FOUNDATION PLATES

To install doors on rough or irregular stone, block or masonry foundations, use foundation plates. Foundation plates can also be used to modify openings too narrow or too wide for standard width doors.

The chart lists only four sizes of foundation plates, but plates are available in any width, by special order. (3x3, 3x4, 3x25, etc. or longer than 84 inches.) Ask your Gordon dealer for help.



Remove Old Door.



Prepare foundation. Smooth surface with mortar or Foundation Plates. (optional)



Place assembled Frame on Foundation. Square & attach.



Caulk around Frame. Paint promptly with Alkyd Enamel.



(Rough Cement)

(Field Stone or Granite)

H	F	G	Price
3"	5"	7'	
3"	8"	7'	
3"	11"	7'	
3"	14"	7'	

