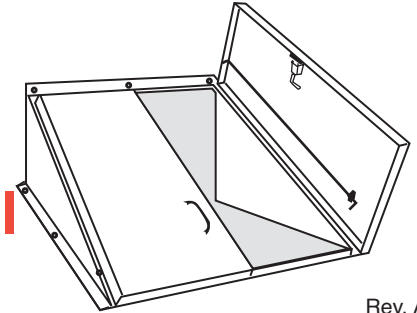


Replace your basement door easily and economically

## CD Model



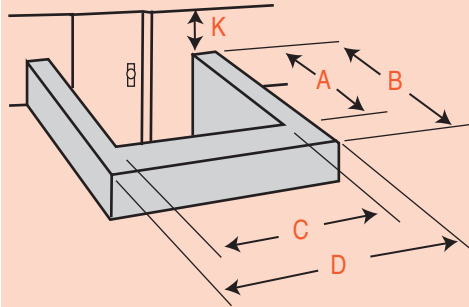
Rev. A

Gordon makes the job of replacing worn or damaged cellar doors fast, easy and economical. Gordon CellaDoors add value, beauty and security to your home. Using the instructions below, measure and select your new door. Gordon ships clear, detailed instructions with every door, and takes the aggravation out of do-it-yourself door replacement.

Two basic styles are available: The CellaDoor (CD) shown here and Replacement Door (RD) shown on the other side of this page. The CD is also the correct model for new home construction.

**STEP ONE**, measure the foundation. The CD model has sides that are attached to your existing foundation.

- Measure the width "C" and "D" which are the **inside (C)** and the **outside (D)** dimensions of the sides.
- Next, measure length A and B from the building to the inside (A) and the outside (B) of the basement wall.
- Finally, measure "K" which is the distance from the top of the foundation to the top of the basement door opening.



Write the five dimensions A, B, C, D, and K in the space below. Using the chart, choose the right door size. (Note: Be sure that the model selected has a height greater than "K".)

A=..... C=..... K=.....  
B=..... D=.....

**STEP TWO**, choose the right door size. This chart will help you select the right CellaDoor. The new door will be positioned on the areaway sidewalls. (Extensions are available for the CD-3 model only.)

### A & B

Select length at least 2 inches longer than "A" and no longer than "B".

### C & D

Select width at least 4 inches wider than "C" and 2 inches narrower than "D".

### K

Be sure the height of the new model is greater than "K".

	OUTSIDE FRAME DIMENSIONS					CD-3 WITH CX EXTENSIONS				
MODEL	CD-SL	CD-0	CD-1	CD-2	CD-3	CX-6"	CX-12"	CX-18"	CX-24"	CX-30
LENGTH	42½"	54"	57"	63"	71"	77"	83"	89"	95"	101"
WIDTH	49"	45"	45"	49"	53"	53"	53"	53"	53"	53"
HEIGHT	51"	30"	24½"	22"	19½"	21"	21"	21"	21"	21"

Prepare foundation



Slide doors into hinges - align and attach frame



Place assembled Frame on Foundation. Attach at header



Caulk around Frame. Paint promptly with Alkyd Enamel.



**STEP THREE**, these photos show a sample installation. Complete, easy-to-follow instructions are shipped with each door. For rough or irregular foundations, foundation plates (shown on the other side) are available, in different sizes, to modify openings too wide or too narrow for the standard size door.

Complete your basement with the

### GORDON STAIR STRINGER

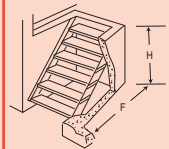
Gordon now makes it easy and economical to add stairs to your new or existing bulkhead. Along with the Gordon Steel Basement Door, the Gordon Stair Stringers eliminate the need for expensive and complicated step construction. Made of 14 gauge galvanized steel and prepunched for easy tread installation.

1. First measure the 'H' dimension, then the 'F' dimension. If new areaway, build to specifications on chart for model desired.
2. Second, select the right size Gordon Stair Stringer.

### AREAWAY DIMENSIONS

Selected Stringer	'H'	'F' at least	Length of stringer	Number of steps	Use basement Door Model
ST-1	4'0" to 4'7"	4'3"	69"	6	CD-1
ST-2	4'8" to 5'4"	4'11"	80"	7	CD-2
ST-3	5'5" to 6'0"	5'8"	92"	8	CD-3

\* For 9-12 steps - use 2 sets of ST-1 stringers and overlap them



Your authorized Gordon dealer is: